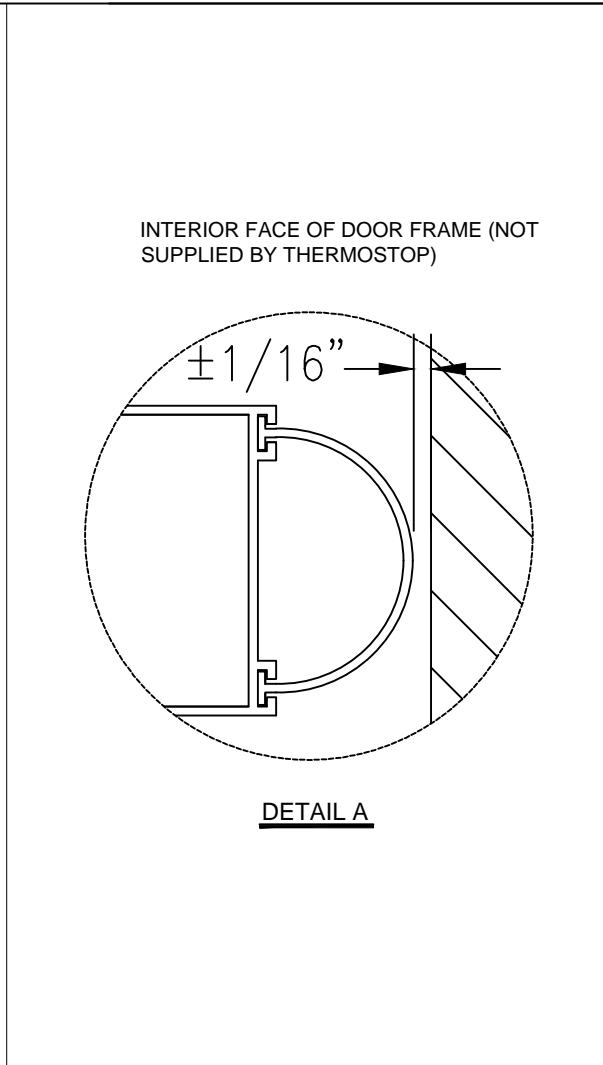
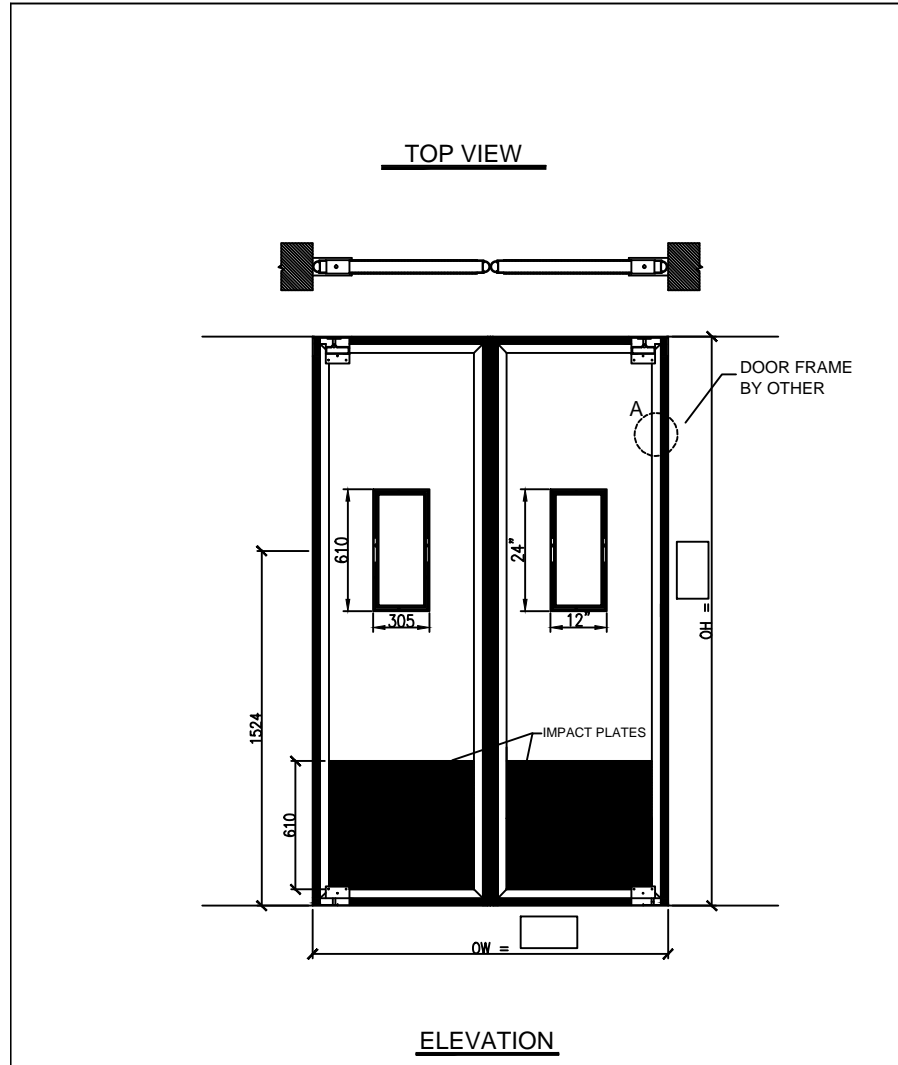


SHOP DRAWING - BI-PARTING IMPACT TRAFFIC HD DOOR



Specifications:

Panels:

- 2" (50mm) thick panels, made with thermoplastic composite skins and expanded polystyrene (EPS) core. White finish
- Compression seal on 4 sides of the panel(s), hold in place with extruded aluminum frame
- Each panel is equipped with one (1) 24" HDPE IMPACT PLATES on both sides of the door leaf
- Heavy duty gravity type hinges, double acting and allowing smooth swinging in both directions.

- THIS TRAFFIC DOOR IS NOT TO BE USED FOR FORKLIFT OPERATION

Notes:

- Heavy duty gravity hinges
- Panels can move in both directions
- ±1/8" gap between compression seal and interior face of door frame
- Type B - Thermo 1/8" acrylic window 12" x 24" (305mm x 610mm)
- Drawings not to scale
- **Door frame by other**

DIMENSIONS	QTY	CLEAR OPENING		APPROVED FOR MANUFACTURING BY:	
	X	WIDTH (OW)	HEIGHT (OH)	Name:	Date:
		XXmm	XXmm	Signature:	

	THERMOSTOP INC.	3775, boulevard Losch, Longueuil (Québec), Canada J3Y 5T7, Tel.: (450) 678-8666, Fax: (450) 678-7765, www.thermostop.com
--	------------------------	---

Distributor:	Date:	Drawn by:	Verify by:	Page:	Note : *Drawings not to scale
Customer:	Revision:		L.H.	1/1	

Legend

OW = OPENING WIDTH
OH = OPENING HEIGHT
SW = STRUCTURAL WIDTH
SH = STRUCTURAL HEIGHT