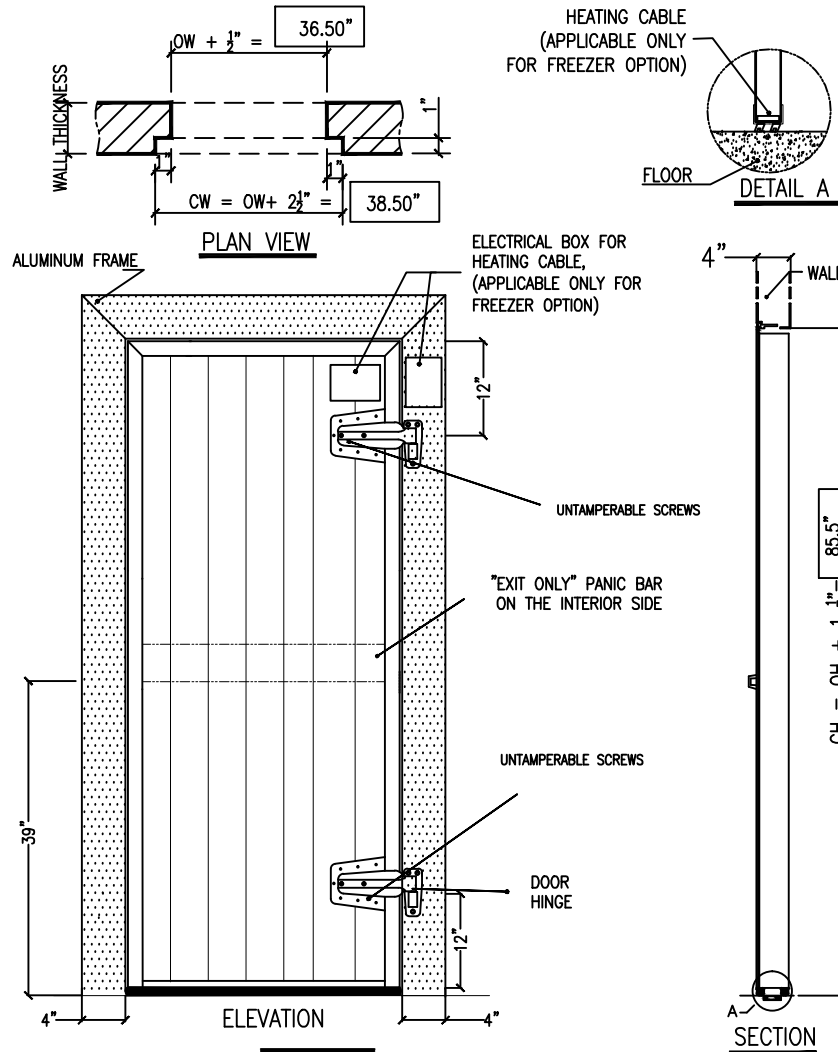
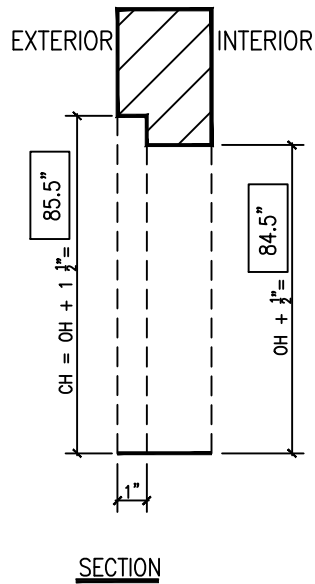
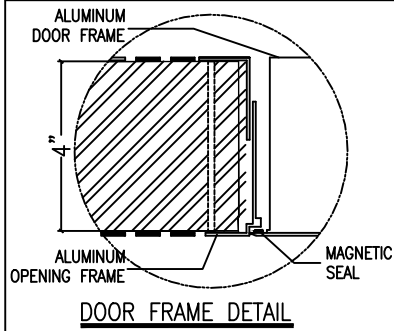


# SHOP DRAWING - GLACE-GUARD ENTRANCE ET-400 - EXIT DOOR WITH PANIC BAR



## Specifications:

- ET-400 : 4"(100mm)
  - Cooler (4°C and above / 38°F and above)
  - Freezer (-30°C to 2°C / -22°F to 36°F)
  - Heating cable on four (4) sides
  - Right side hinges viewed from the outside
- NOTE: HINGES CAN BE ON THE RIGHT SIDE OR ON THE LEFT SIDE AS PER USER REQUIREMENT

## Standard Features:

- \*Extruded aluminum mirror frame in 2 pieces
- \*Polyurethane insulated panels
- \*26ga steel, white stucco embossed finish
- \*Heavy-duty 3/32" (4mm) aluminium opening frame in two extruded angles
- \*Magnetic seals on door frame perimeter.
- \*Bottom double blade seal on door panel.
- \* 2 (two) 10" cam-lift hinges.
- \* EXIT ONLY panic bar on the interior side
- \* NO EXTERIOR HANDLE, NO EXTERIOR LOCK
- \* UNTAMPERABLE SCREWS FOR HINGES

## Options with extras:

- Kick plate made of 1/16" aluminium checker plate x 24" high x one side

## Legend

OW = OPENING WIDTH  
 OH = OPENING HEIGHT  
 CW = CLEARANCE WIDTH  
 CH = CLEARANCE HEIGHT

DIMENSIONS	QTY	FINISHED OPENING		REQUIRED CLEARANCE		APPROVED FOR MANUFACTURING BY:	
		WIDTH (OW)	HEIGHT (OH)	WIDTH (CW)	HEIGHT (CH)	Name:	Date:
		x	36"	84"	38.50"	85.5"	Signature:

**GLACE-GUARD**  
Cold Storage Doors

**THERMOSTOP INC.**

3775, boulevard Losch, Longueuil (Québec), Canada J3Y 5T7,  
 Tel.: (450) 678-8666, Fax: (450) 678-7765, www.thermostop.com

Distributor: XXXXX	Date: XX/XX/XXXX	Drawn by: X.X.	Verify by: L.H.	Page: 1/1	<b>Note :</b> *Drawings not to scale
Customer: XXXXX	Revision:				