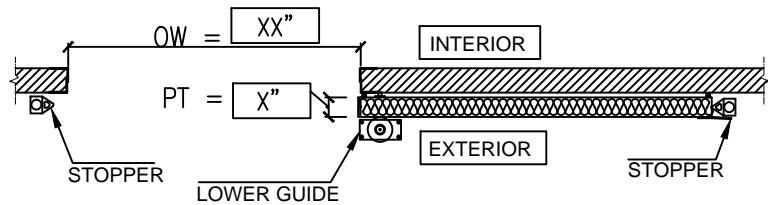
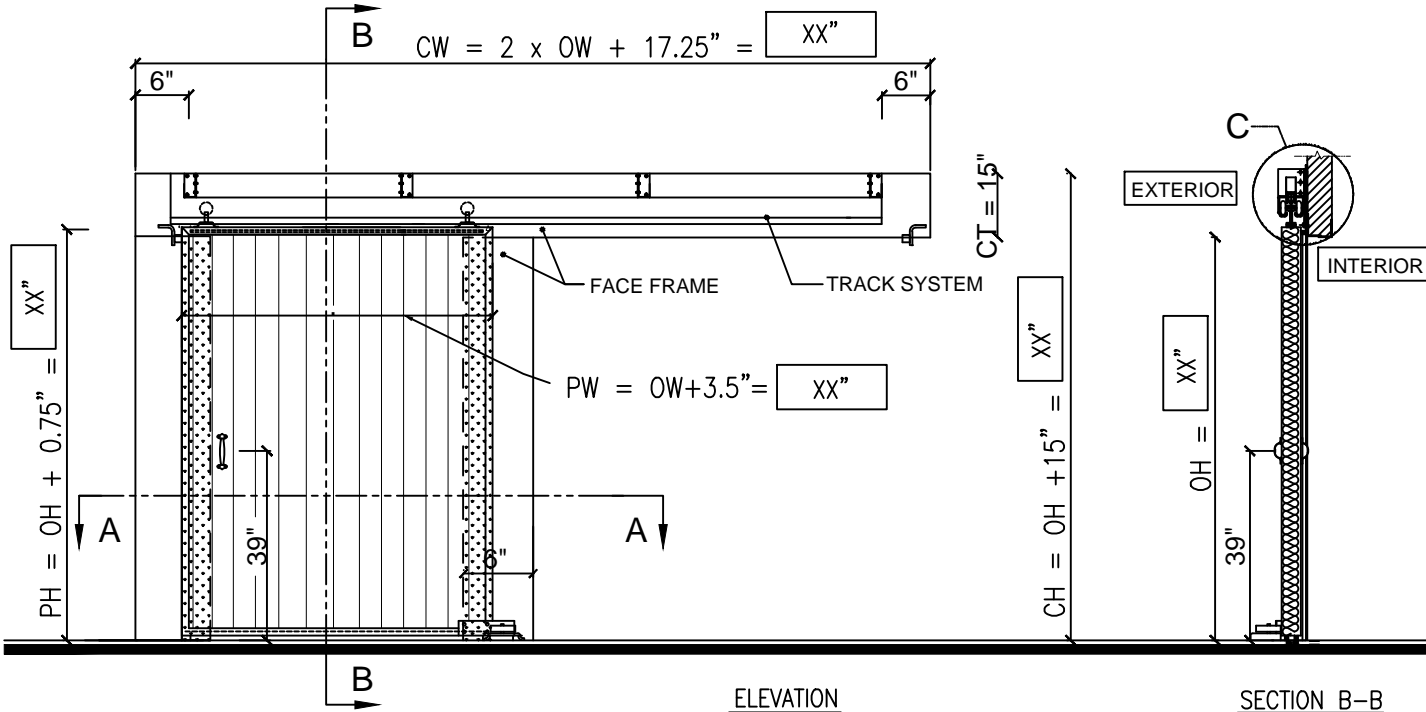


SHOP DRAWING - GLACE-GUARD SLIDER - SINGLE - MANUAL



SECTION A-A



ELEVATION

SECTION B-B

Specifications:

- Slider III: 3"(75mm) Slider IV: 4"(100mm)
 - Cooler (4°C & above / 38°F & above)
 - Freezer (-30°C to 2°C / -22°F to 36°F)
 - Heating cable on door frame and door panel
- Note: the sliding door can close on the left side or on the right side as per user requirement

Standard Features:

- *Polyurethane insulated panels
- *26ga steel, white stucco embossed finish
- *Inside and outside handles
- *Aluminum frame for door panels
- *Perimeter seals on door faceframe
- *Bottom double blade seal on door panel
- *Galvanized steel double track system
- *Lower guides and stoppers

Options with extras:

- Back Frame
- Window: insulated glass, clear 12"x24"x 1/8"
- Kick plate made of 1/6" aluminium checker plate x 24" high x one side

Notes:

- 1) When the door panel width is greater than 7'6", the panel will be fabricated in 2(or 3) parts to be assembled by the door installer, locally
- 2) If the door is a freezer door, it is to be installed on the ambient side (4°C & above/38°F & above), outside of freezer
- 3) Heat trace, when applicable, requires 115V power and 15A outlet

DIMENSIONS	QTY	CLEAR OPENING		REQUIRED CLEARANCE			DOOR PANELS		
		WIDTH (OW)	HEIGHT (OH)	WIDTH (CW)	HEIGHT (CH)	TOP (CT)	WIDTH (PW)	HEIGHT (PH)	THICKNESS (PT)
	X	XX"	XX"	XX"	XX"	15"	XX"	XX"	X"



THERMOSTOP INC.

3775, boulevard Losch, Longueuil (Québec), Canada J3Y 5T7,
Tel.: (450) 678-8666, Fax: (450) 678-7765, www.thermostop.com

Distributor: XXXXX	Date: XX/XX/XXXX	Drawn by: X.X.	Verify by: L.H.	Page: 1/2	Note : *Drawings not to scale
Customer: XXXXX	Revision:				
Approved for manufacturing by:	Date:				

Legend

- OW = OPENING WIDTH
- OH = OPENING HEIGHT
- CW = CLEARANCE WIDTH
- CH = CLEARANCE HEIGHT
- CT = CLEARANCE TOP
- PW = PANEL WIDTH
- PH = PANEL HEIGHT
- PT = PANEL THICKNESS