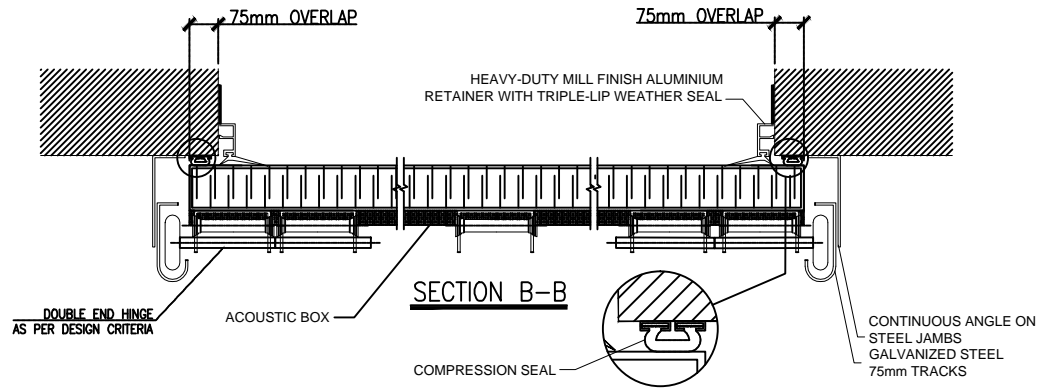


INTERIOR ELEVATION

**THERMOSTOP MODEL
SOUND SENTRY STC-47
DOOR THICKNESS = 4" (100 mm)**

NOTE:
DOOR TO OVERLAP OPENING BY 75mm ON EACH SIDE AND AT HEADER TO ACCOMMODATE ACOUSTIC WALL COMPRESSION SEALS



APPROVED FOR MANUFACTURING BY:
Name:.....
Signature:.....
Date:.....

| MODEL | QTY. | DOOR | | No. OF PAN. | No. OF SECT. | OPERATION |
|---------------------|------|---------|---------|-------------|--------------|----------------------------------|
| | | WIDTH. | HEIGHT. | | | |
| SOUND SENTRY STC 47 | X | XX' X" | XX' XX" | X | X | ELECTRIC OPERATOR, BY THERMOSTOP |
| | | XXXX mm | XXXX mm | | | |
| | | OPENING | | | | |
| | | XX' XX" | XX' XX" | | | |

Notes:
DRAWINGS NOT TO SCALE

THERMOSTOP INC.
3775 BOULEVARD LOSCH, ST-HUBERT, QUÉBEC J5Y 5T7
PROJECT NAME: XXXXXXXXX
DISTRIBUTOR : XXXXXXXX
CONTRACTOR : XXXXXXXX
ARCHITECT : XXXXXXXX

| DATE | DRAWN BY | VERIFIED BY | QUOTE No. | DRAWING No. | REVISION |
|----------|----------|-------------|-----------|-------------|----------|
| xx/xx/xx | x.x. | L.H. | XXXXXXX | x/x | |