



ISO 9001 : 2008



THERMOSTOP INC., 3775 Losch blvd, Longueuil, Québec, Canada, J3Y 5T7, Tel. : (450) 678-8666, Fax. : (450) 678-7765

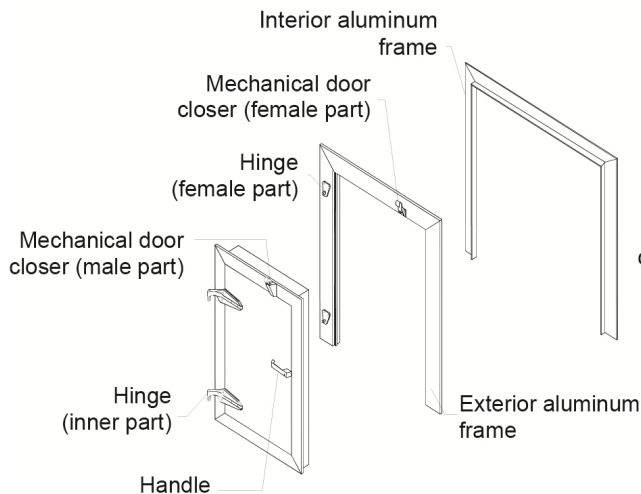
## INSTALLATION INSTRUCTIONS SOUNDENTRY

The following installation instructions are for SoundEntry, made by THERMOSTOP INC. You will find the appropriate directives and the different steps to install the different components of the entrance door.

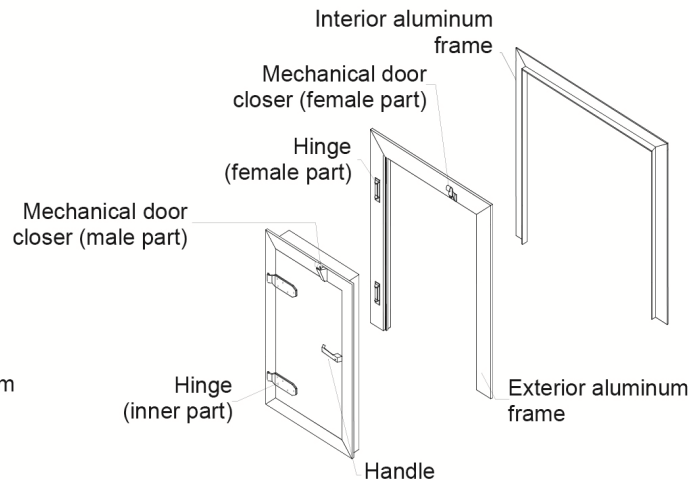
### 1. Check the materials:

The entrance door SoundEntry contains:

- 1.1. Exterior aluminum frame;
- 1.2. Interior aluminum frame;
- 1.3. Pre-installed hardware (hinges, handle, door closer);



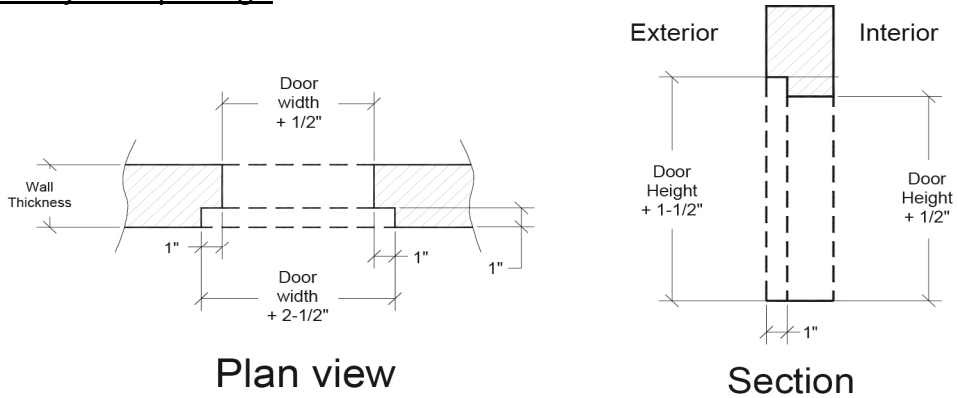
Drawing #1A  
(36" and 48" width)



Drawing #1B  
(60" width)

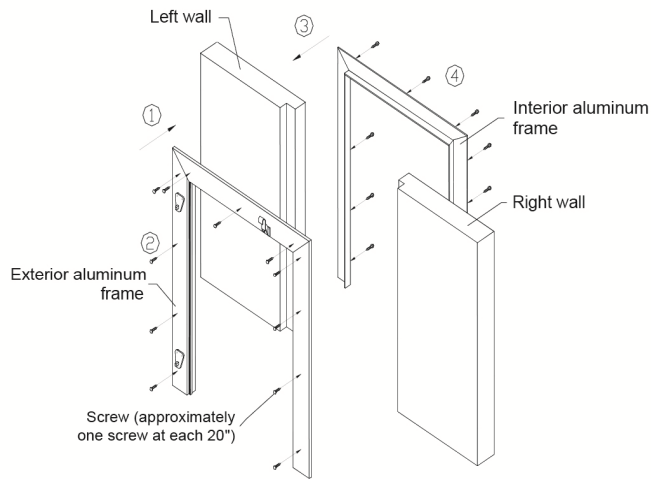


2. Verify the opening :



**Drawing #2**

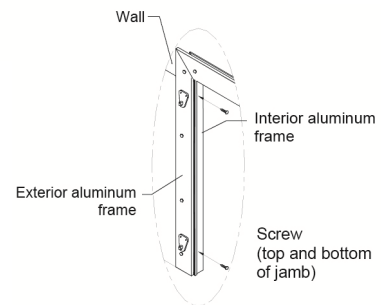
3. Install the frame in the opening :



- ① Position the exterior frame on the wall.
- ② Attach the exterior frame to the wall.
- ③ Position the interior frame on the wall and on the exterior frame.
- ④ Attach the interior frame to the wall.

**Drawing #3**

4. Ensure that the frame is levelled and square.
5. Attach the 2 frames with screws. (drawing #4)
6. Install the door in the frame.
7. Make adjustment for smooth operation.



**Drawing #4**