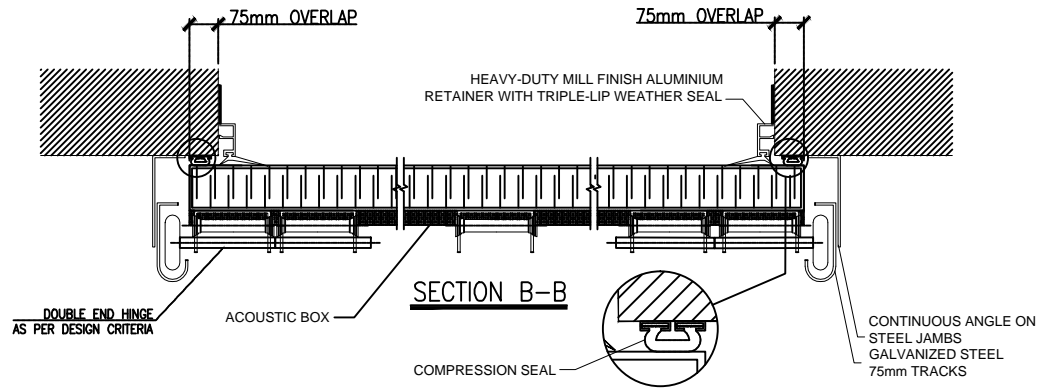


INTERIOR ELEVATION

**THERMOSTOP MODEL
SOUND SENTRY STC-47
DOOR THICKNESS = 4" (100 mm)**

NOTE:
DOOR TO OVERLAP OPENING BY 75mm ON EACH SIDE AND AT HEADER TO ACCOMMODATE ACOUSTIC WALL COMPRESSION SEALS



SECTION B-B

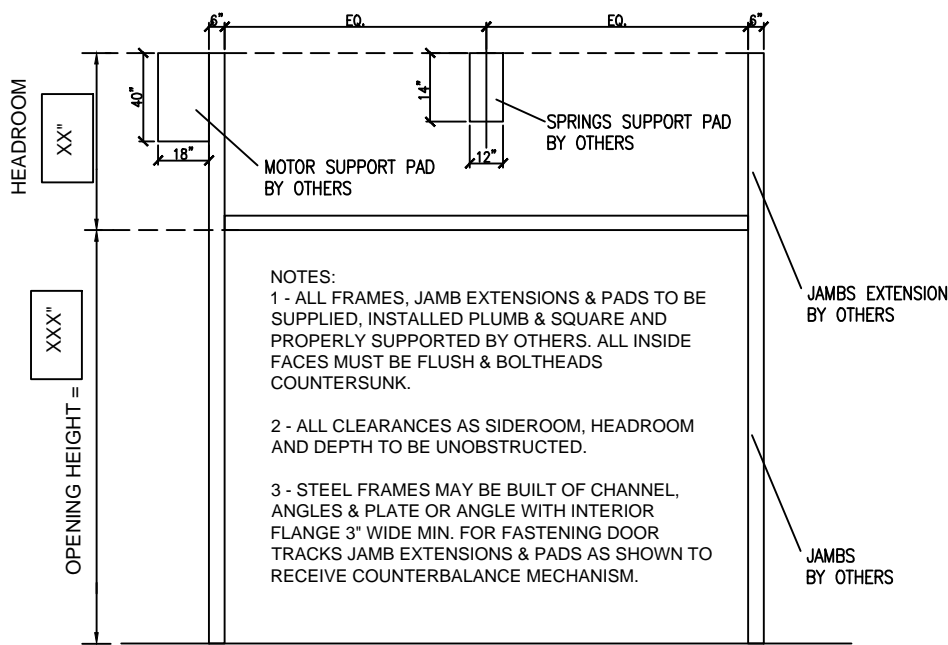
APPROVED FOR MANUFACTURING BY:
Name:.....
Signature:.....
Date:.....

MODEL	QTY.	DOOR		No. OF PAN.	No. OF SECT.	OPERATION
		WIDTH.	HEIGHT.			
SOUND SENTRY STC 47	X	XX' X"	XX' XX"	X	X	ELECTRIC OPERATOR, BY THERMOSTOP
		XXXX mm	XXXX mm			
		OPENING				
		XX' XX"	XX' XX"			

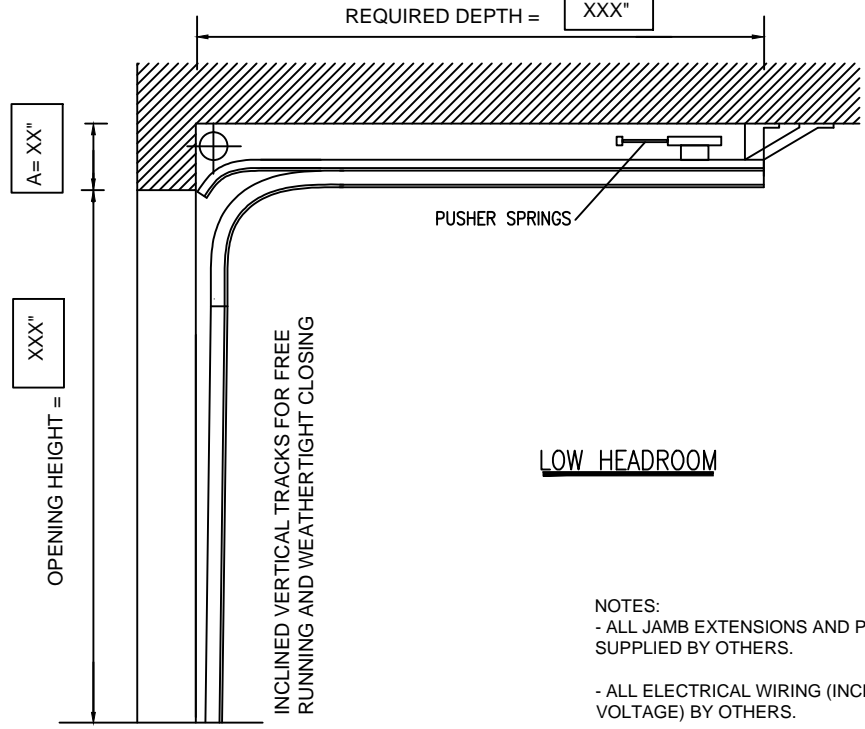
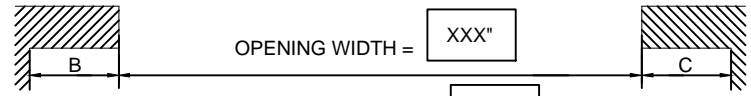
Notes:
DRAWINGS NOT TO SCALE

THERMOSTOP INC.
3775 BOULEVARD LOSCH, ST-HUBERT, QUÉBEC J5Y 5T7
PROJECT NAME: XXXXXXXXX
DISTRIBUTOR : XXXXXXXXX
CONTRACTOR : XXXXXXXXX
ARCHITECT : XXXXXXXXX

DATE	DRAWN BY	VERIFIED BY	QUOTE No.	DRAWING No.	REVISION
xx/xx/xx	x.x.	L.H.	XXXXXXX	x/x	



NOTES:
 1 - ALL FRAMES, JAMB EXTENSIONS & PADS TO BE SUPPLIED, INSTALLED PLUMB & SQUARE AND PROPERLY SUPPORTED BY OTHERS. ALL INSIDE FACES MUST BE FLUSH & BOLTHEADS COUNTERSUNK.
 2 - ALL CLEARANCES AS SIDEROOM, HEADROOM AND DEPTH TO BE UNOBSTRUCTED.
 3 - STEEL FRAMES MAY BE BUILT OF CHANNEL, ANGLES & PLATE OR ANGLE WITH INTERIOR FLANGE 3" WIDE MIN. FOR FASTENING DOOR TRACKS JAMB EXTENSIONS & PADS AS SHOWN TO RECEIVE COUNTERBALANCE MECHANISM.



NOTES:
 - ALL JAMB EXTENSIONS AND PADS TO BE SUPPLIED BY OTHERS.
 - ALL ELECTRICAL WIRING (INCLUDING LOW VOLTAGE) BY OTHERS.

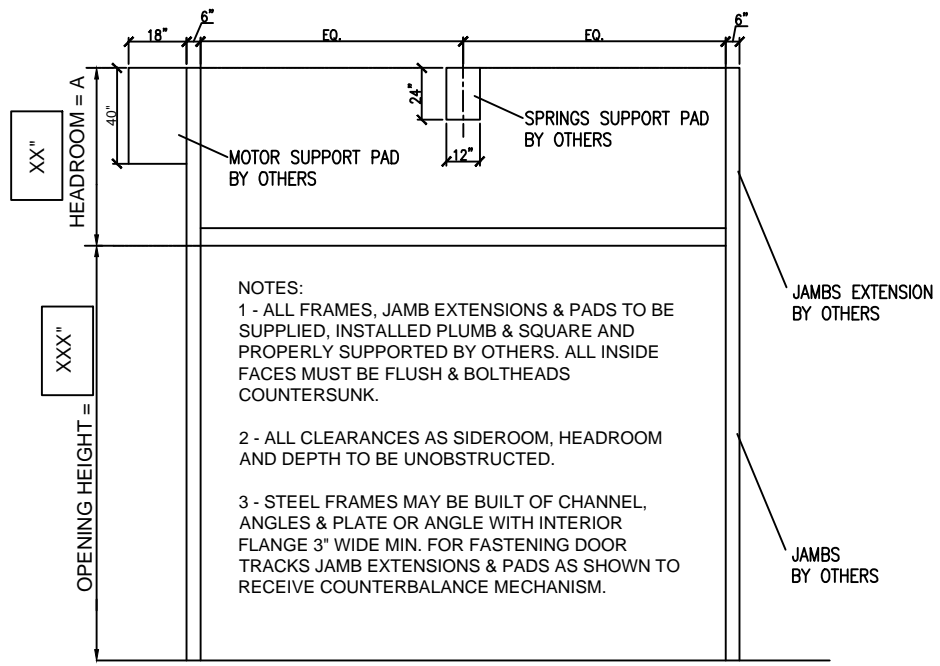
APPROVED FOR MANUFACTURING BY:
 Name:.....
 Signature:.....
 Date:.....

MODEL	QTY.	OPENING	CLEARANCE REQ'D			REQ'D DEPTH	GLAZED SECT.	GLASS
			A	B	C			
SOUND SENTRY STC-47	X		XXX"	24"	12"	XXX"		

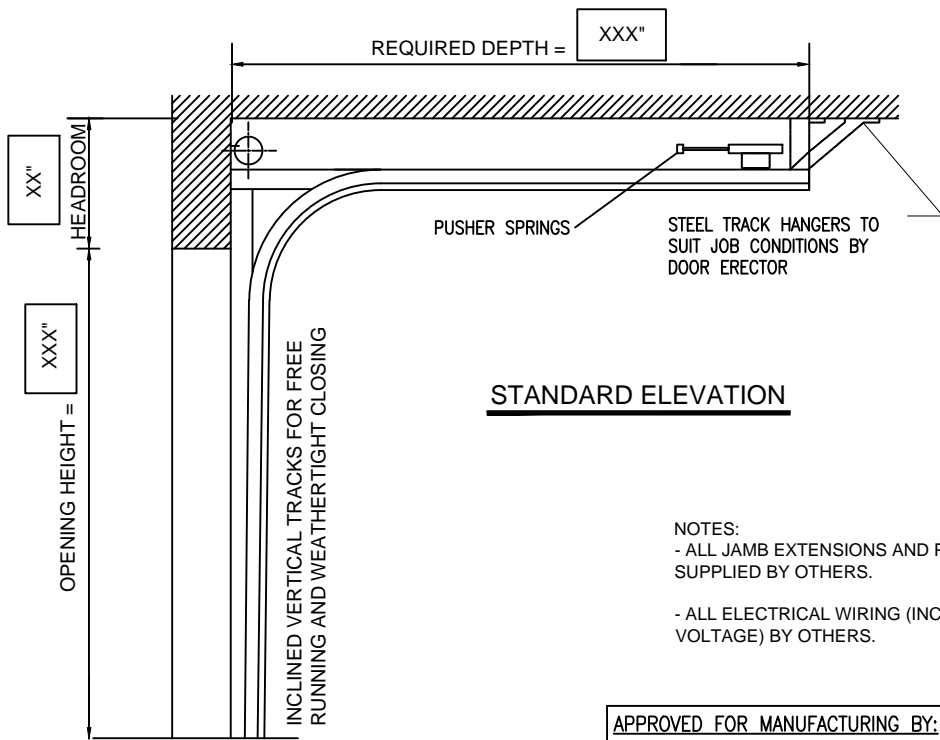
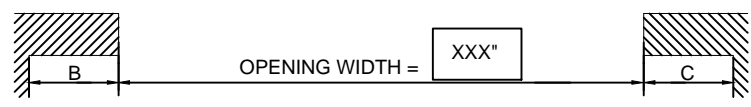
THERMOSTOP INC.
 3775 BOULEVARD LOSCH, ST-HUBERT, QUÉBEC J3Y 5T7
 PROJECT NAME: XXXXXXXX
 DISTRIBUTOR : XXXXXXXX
 CONTRACTOR : XXXXXXXX
 ARCHITECT : XXXXXXXX

Notes:
 DRAWINGS NOT TO SCALE

DATE xx/xx/xx	DRAWN BY X.X.	VERIFIED BY L.H.	CONTRACT No. XXXXXXX	DRAWING No. XX
------------------	------------------	---------------------	-------------------------	-------------------



NOTES:
 1 - ALL FRAMES, JAMB EXTENSIONS & PADS TO BE SUPPLIED, INSTALLED PLUMB & SQUARE AND PROPERLY SUPPORTED BY OTHERS. ALL INSIDE FACES MUST BE FLUSH & BOLTHEADS COUNTERSUNK.
 2 - ALL CLEARANCES AS SIDEROOM, HEADROOM AND DEPTH TO BE UNOBSTRUCTED.
 3 - STEEL FRAMES MAY BE BUILT OF CHANNEL, ANGLES & PLATE OR ANGLE WITH INTERIOR FLANGE 3" WIDE MIN. FOR FASTENING DOOR TRACKS JAMB EXTENSIONS & PADS AS SHOWN TO RECEIVE COUNTERBALANCE MECHANISM.



STANDARD ELEVATION

NOTES:
 - ALL JAMB EXTENSIONS AND PADS TO BE SUPPLIED BY OTHERS.
 - ALL ELECTRICAL WIRING (INCLUDING LOW VOLTAGE) BY OTHERS.

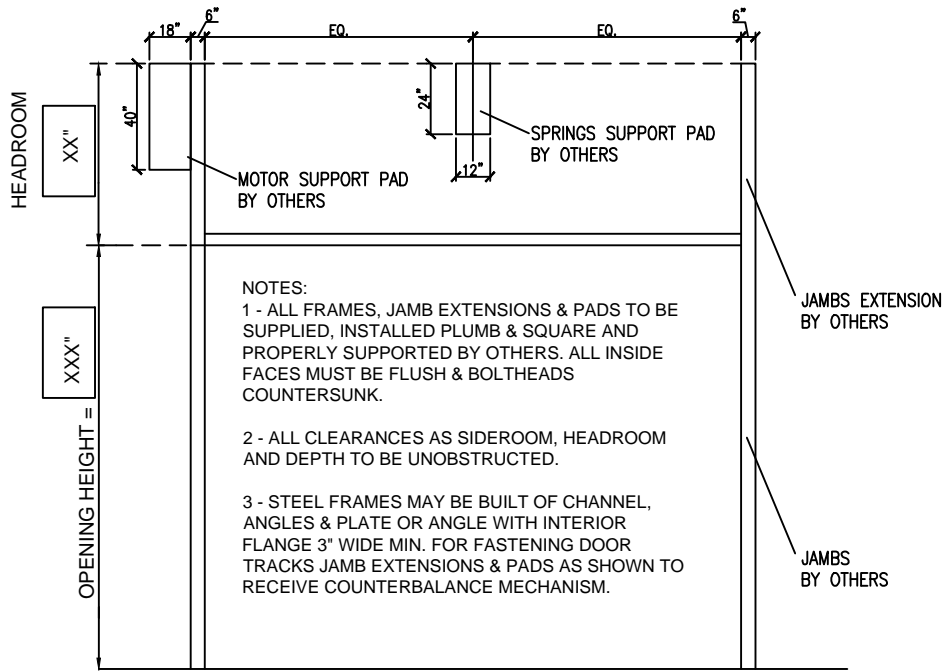
APPROVED FOR MANUFACTURING BY:
 Name:.....
 Signature:.....
 Date:.....

MODEL	QTY.	OPENING	CLEARANCE REQ'D			REQ'D DEPTH	GLAZED SECT.	GLASS
			A	B	C			
SOUND SENTRY STC-47	X		XXX"	24"	12"	XXX"		

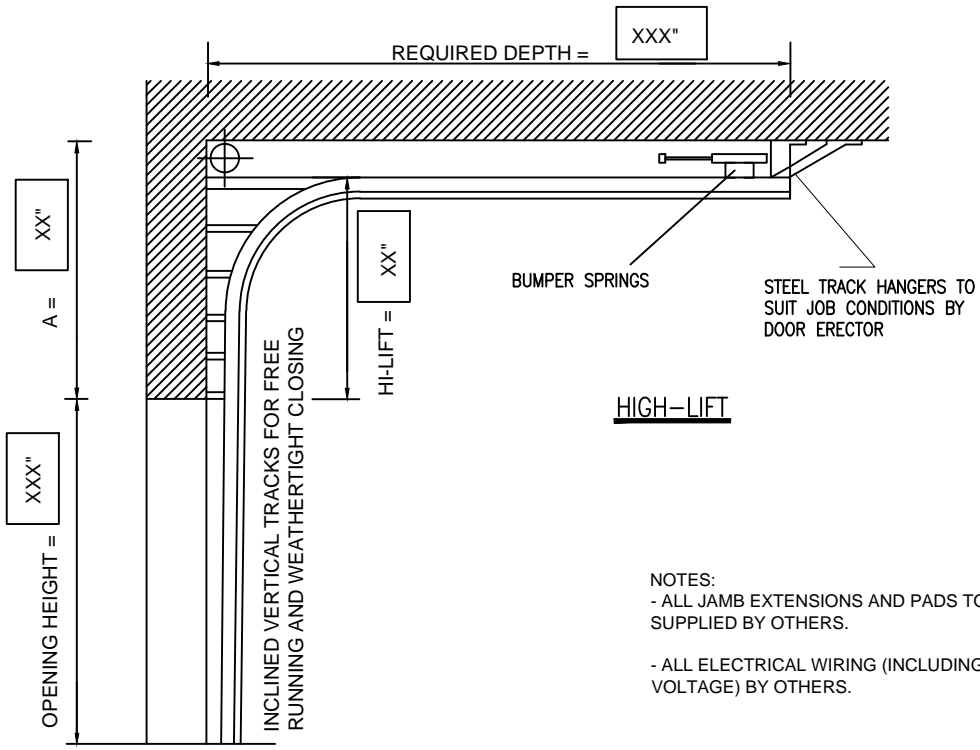
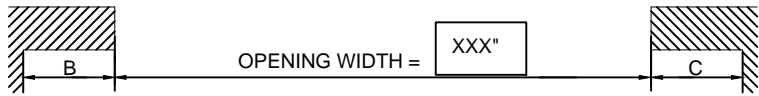
THERMOSTOP INC.
 3775 BOULEVARD LOSCH, ST-HUBERT, QUÉBEC J3Y 5T7
 PROJECT NAME: XXXXXXXX
 DISTRIBUTOR : XXXXXXXX
 CONTRACTOR : XXXXXXXX
 ARCHITECT : XXXXXXXX

Notes:
 DRAWINGS NOT TO SCALE

DATE xx/xx/xx	DRAWN BY X.X.	VERIFIED BY L.H.	CONTRACT No. XXXXXXXX	DRAWING No. XX
------------------	------------------	---------------------	--------------------------	-------------------



NOTES:
 1 - ALL FRAMES, JAMB EXTENSIONS & PADS TO BE SUPPLIED, INSTALLED PLUMB & SQUARE AND PROPERLY SUPPORTED BY OTHERS. ALL INSIDE FACES MUST BE FLUSH & BOLTHEADS COUNTERSUNK.
 2 - ALL CLEARANCES AS SIDEROOM, HEADROOM AND DEPTH TO BE UNOBSTRUCTED.
 3 - STEEL FRAMES MAY BE BUILT OF CHANNEL, ANGLES & PLATE OR ANGLE WITH INTERIOR FLANGE 3" WIDE MIN. FOR FASTENING DOOR TRACKS JAMB EXTENSIONS & PADS AS SHOWN TO RECEIVE COUNTERBALANCE MECHANISM.



NOTES:
 - ALL JAMB EXTENSIONS AND PADS TO BE SUPPLIED BY OTHERS.
 - ALL ELECTRICAL WIRING (INCLUDING LOW VOLTAGE) BY OTHERS.

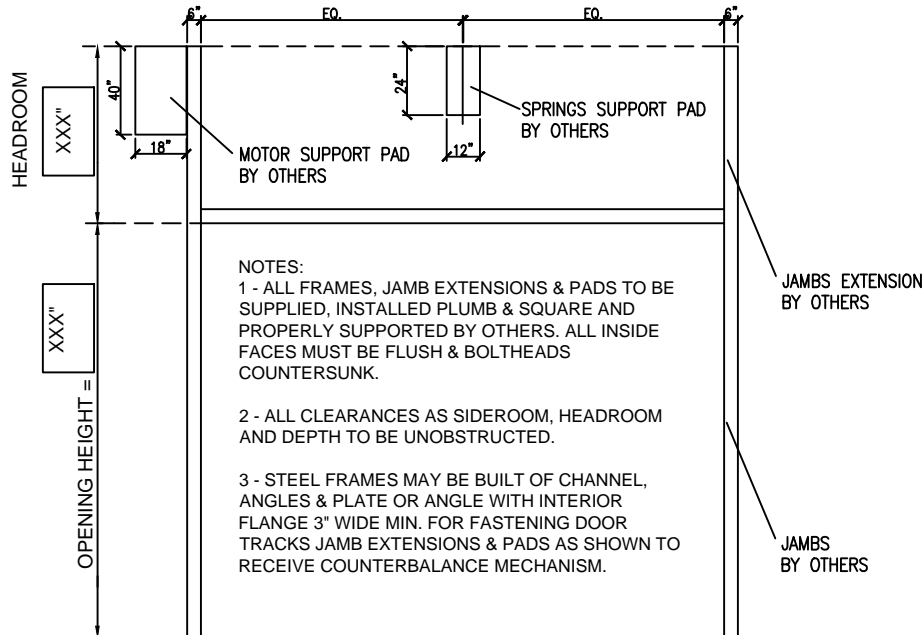
APPROVED FOR MANUFACTURING BY:
 Name:.....
 Signature:.....
 Date:.....

MODEL	QTY.	OPENING	CLEARANCE REQ'D			REQ'D DEPTH	GLAZED SECT.	GLASS
			A	B	C			
SOUND SENTRY STC-47	X		XX"	24"	12"	XXX"		

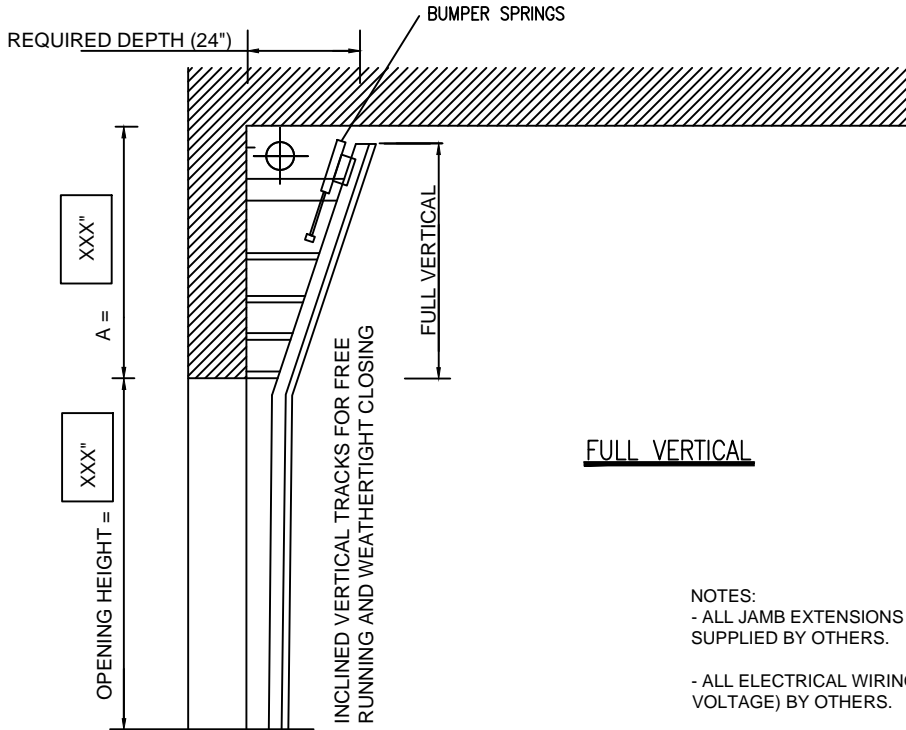
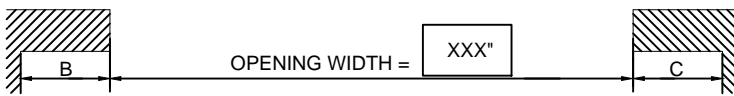
THERMOSTOP INC.
 3775 BOULEVARD LOSCH, ST-HUBERT, QUÉBEC J3Y 5T7
 PROJECT NAME: XXXXXXXXXX
 DISTRIBUTOR : XXXXXXXXXX
 CONTRACTOR : XXXXXXXXXX
 ARCHITECT : XXXXXXXXXX

Notes:
 DRAWINGS NOT TO SCALE

DATE	DRAWN BY	VERIFIED BY	CONTRACT No.	DRAWING No.	REVISION
xx/xx/xx	X.X.	L.H.	XXXXXXX	X/X	



NOTES:
 1 - ALL FRAMES, JAMB EXTENSIONS & PADS TO BE SUPPLIED, INSTALLED PLUMB & SQUARE AND PROPERLY SUPPORTED BY OTHERS. ALL INSIDE FACES MUST BE FLUSH & BOLTHEADS COUNTERSUNK.
 2 - ALL CLEARANCES AS SIDEROOM, HEADROOM AND DEPTH TO BE UNOBSTRUCTED.
 3 - STEEL FRAMES MAY BE BUILT OF CHANNEL, ANGLES & PLATE OR ANGLE WITH INTERIOR FLANGE 3" WIDE MIN. FOR FASTENING DOOR TRACKS JAMB EXTENSIONS & PADS AS SHOWN TO RECEIVE COUNTERBALANCE MECHANISM.



FULL VERTICAL

NOTES:
 - ALL JAMB EXTENSIONS AND PADS TO BE SUPPLIED BY OTHERS.
 - ALL ELECTRICAL WIRING (INCLUDING LOW VOLTAGE) BY OTHERS.

APPROVED FOR MANUFACTURING BY:
 Name:.....
 Signature:.....
 Date:.....

MODEL	QTY.	OPENING	CLEARANCE REQ'D			REQ'D DEPTH	GLAZED SECT.	GLASS
			A	B	C			
SOUND SENTRY STC-47	1		XXX"	24"	12"	24"		

THERMOSTOP INC.
 3775 BOULEVARD LOSCH, ST-HUBERT, QUEBEC J3Y 5T7
 PROJECT NAME:XXXXXXXXX
 DISTRIBUTOR : XXXXXXXX
 CONTRACTOR : XXXXXXXX
 ARCHITECT : XXXXXXXX

Notes:
 DRAWINGS NOT TO SCALE

DATE xx/xx/xx	DRAWN BY X.X.	VERIFIED BY L.H.	CONTRACT No. XXXXXXX	DRAWING No. XX
------------------	------------------	---------------------	-------------------------	-------------------